

For Product Step File or 3D Model Send a Request Mail To info@nrack.com

Photo View

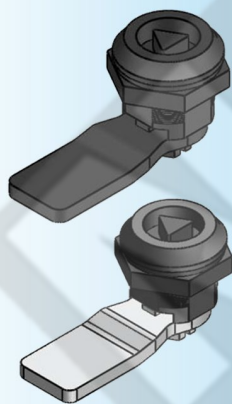


PL-06P-T



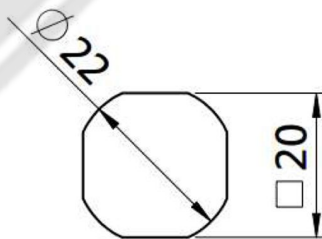
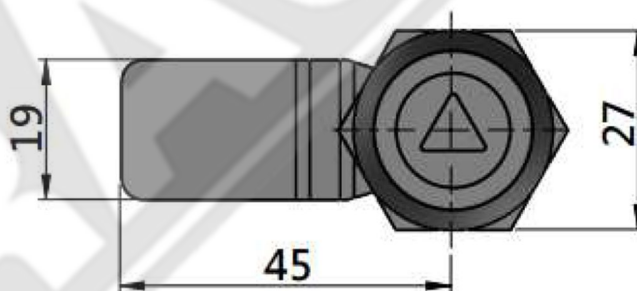
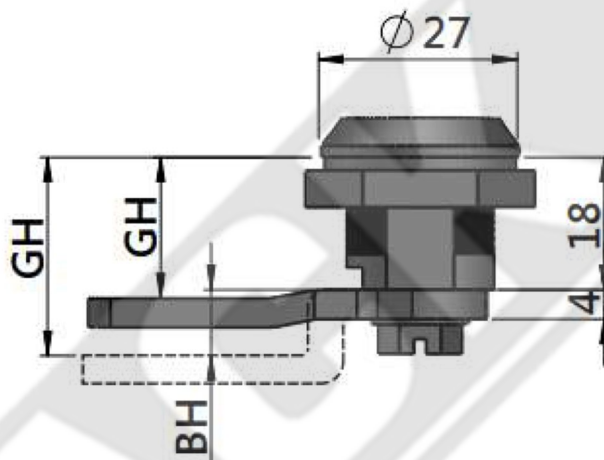
PL-06P-DB

3D Rendered View



PL - 06P

- Material: Polymide PA-6.
- Finish: Black



CUT OUT

GRIPPING HEIGHT (GH)	BENDING HEIGHT (BH)
20	02
25	07
30	12